

EIB/KNX 8-fold 10A Switch Module Specification

Applicable Model: VX/MFA-08/10A

KNX/EIB residential and building intelligent control system

Product Features

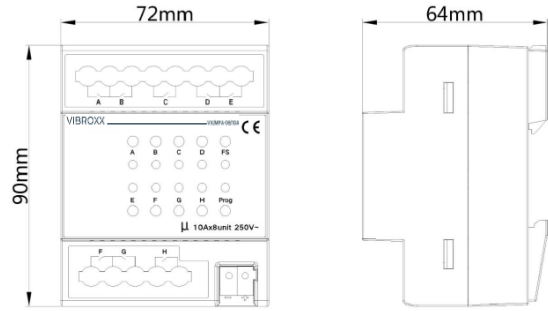
- Manual control switch
- Time function: delay on/off time
- Scene, preset controls: 8bit/1bit
- Status value query reply
- Threshold function
- Control of Electrothermal Valve Driver
- Relay switch position selection after bus voltage disconnection and recovery
- Output negated
- Stair lighting function with early warning and adjustable stair lighting time

Equipment operation does not require additional supply voltage, directly via EIB/KNX Bus powered.

Technical parameter

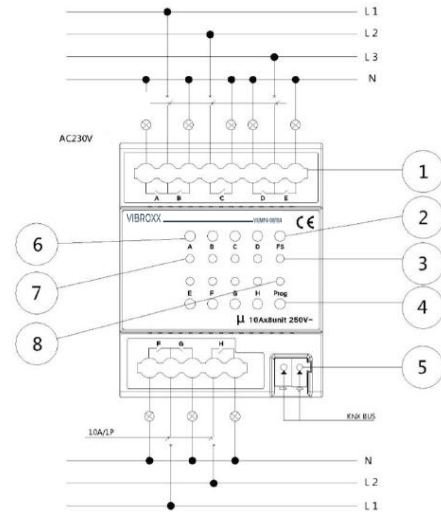
Power supply Output normal value	— Operating Voltage	21~30V DC, provided by bus
	— Type	0416.1
	— The number of outputs	8
Output switch current	— Unrated voltage	250V/440V AC (50~60Hz)
	— Meets the AC1(EN60947-4-1)(resistive load)	10A/230V
	— Meets the AC3(EN60947-4-1)(capacitive load)	10A/230V
	— Meets the EN60669 load of fluorescent lamps	10A/230V
Connection	— EIB/KNX	Bus connection terminal (diameter 0.8mm)
	— Load output connection terminal	screw terminal
Operation and Instructions	— cable cross section	single core 0.2—6.0mm ²
	— Contact position indication	Multi-core 0.2—4mm ² Contact closed - channel open
	— Red led and keys	Contact Released - Channel Closed
Temperature range	— Green led flash	Allocate physical addresses Indicates that the device application layer is working properly
	— Run	- 5 °C ... + 45 °C
	— Storage	- 25 °C ... + 55 °C
Environmental conditions	— Transportation	- 25 °C ... + 70 °C
	— Humidity	< 93%, Except for condensation
	— DIN Rail Module Assembly	35mm Ding rail, modular installation
Design	—	35mm Ding rail, modular installation
CE standard	—	Meets the EMC and low voltage standards, EN50 090-2-2

Dimensions



Model	Size	Weight
VX/MFA-08/10A	72x90x64mm	0.24kg

Wiring diagram



Instruction

- 1) Output/load terminal
- 2) Manual mode and automatic mode switching button
- 3) Manual mode and automatic mode switching indicator
- 4) Program button
- 5) KNX terminals
- 6) Relay control button
- 7) Relay status indicator
- 8) Programming led indicator light, green led indicates entering the physical address programming state installation instructions

Installation Notes

In order to facilitate and quickly install this equipment into the distribution box or small box, according to EN 60715 The series is designed as a modular installation device that can be installed in 35 on the millimeter rail. Installation must ensure that the equipment is operated, tested, inspected, maintained and repaired correctly.

Important tips

Installation and commissioning of equipment should only be performed by qualified and skilled electricians. During planning and implementation of electrical installations, relevant standards, directives, rules and instructions are strictly enforced.

- Devices need to be protected from moisture, dirt, and damage during transportation, storage, and use.
- Do not operate the device outside of specified specifications (such as temperature range).
- The device can only be operated in a closed environment (such as a distribution box).

When the equipment is dirty, only use a dry cloth to clean it. If this is not enough to clean, you can gently wipe with a damp cloth dampened with a little soap solution. Never use alkaline agents or corrosive solvents.